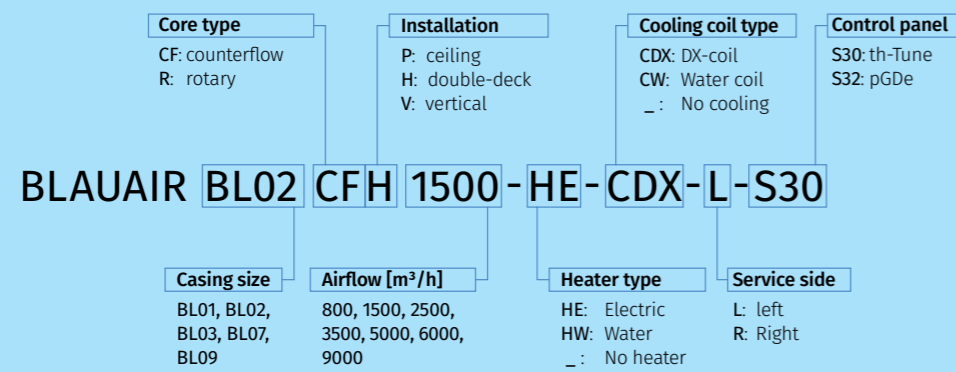




Select the unit online in a few clicks  
and get full technical data at  
[blaubergselector.com](http://blaubergselector.com)

### READING THE MODEL CODE



## BLAUAIR CFH

Floor mounted heat recovery units

Blauberg Ventilatoren GmbH  
Aidenbachstr. 52  
D-81379 Munich

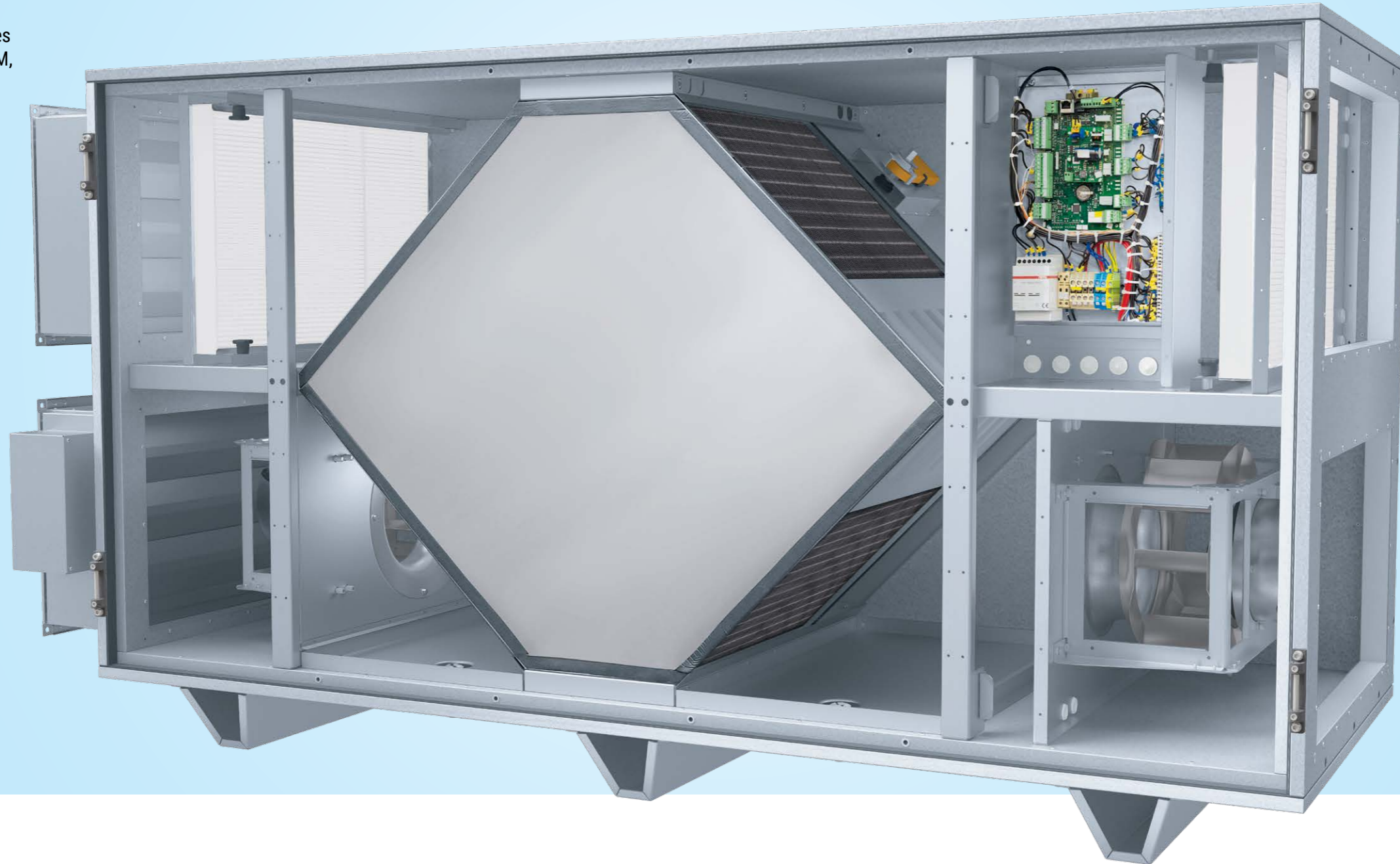
[info@blaubergventilatoren.de](mailto:info@blaubergventilatoren.de)  
[www.blaubergventilatoren.de](http://www.blaubergventilatoren.de)

Technical changes reserved.  
Illustrations and texts are non-binding.

# BLAUAIR CFH

Premium range of floor mounted heat recovery units for commercial applications.

The unit is available in seven sizes with rated air flow 500–5300 CFM, with heaters and cooling coils.



## FANS

**Fans with EC motors.** Impellers with backward-curved blades.

Low power consumption at any speed, low noise and stable operation in any climate.

## CONTROLS

Integrated plug-and-play controls based on **Carel kVent controller**.



Easy connectivity via Web interface by Ethernet cable. **Modbus** and **Bacnet** protocols.



## USER PANELS

**S30 th-Tune:** simple control panel ensures basic setting options with user-friendly interface.



**S32 pGDe:** extended control panel for full functionality engineering adjustment.



## FRAMELESS CASING SYSTEM

Casing panels made of zinc -aluminum coated steel with a 1/16" mineral wool heat- and sound-insulating layer. Corrosion class C4 according to ISO 12944: class C4. Each model available in left or right versions.

## HEAT RECOVERY CORE

High-efficient **Eurovent certified** counterflow heat recovery core made of profiled aluminum plates, packed with elastic heat-resistant sealant. Stainless steel drain pan on both supply and exhaust sides.



## BYPASS AND DAMPERS

Automatic 100 % Heat recovery core bypass damper with a **Belimo actuator** provides active frost protection, free-heating and free-cooling functions. Integrated automatic external dampers with Belimo drives.



## FILTERS

Panel MERV 13 class filters on both supply and exhaust.